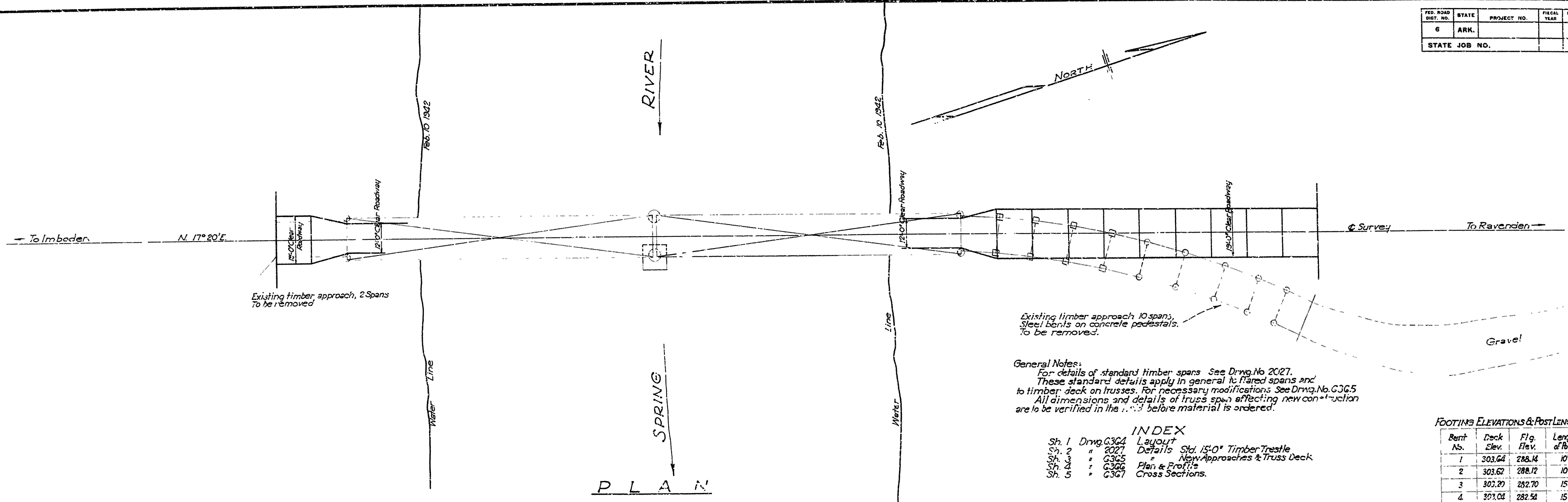


FED. ROAD DIST. NO.	STATE	PROJECT NO.	FISCAL YEAR	SHEET NO.	TOTAL SHEETS
6	ARK.			1	5
STATE JOB NO.					



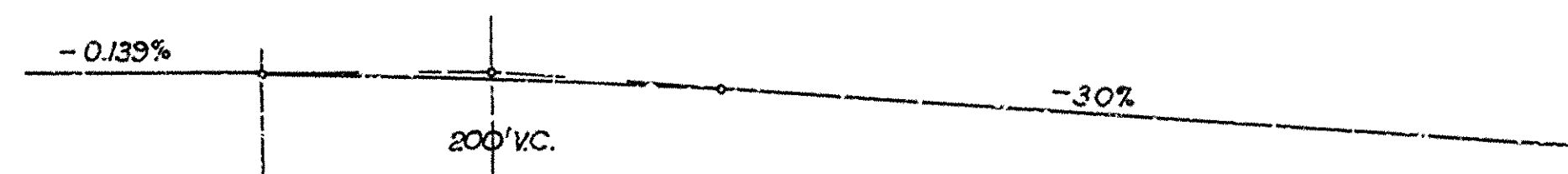
General Notes:  
 For details of standard timber spans See Drwg. No. 2027.  
 These standard details apply in general to Flared spans and to timber deck on trusses. For necessary modifications See Drwg. No. G365.  
 All dimensions and details of truss spans affecting new construction are to be verified in the field before material is ordered.

INDEX

Sh. 1	Drwg. G364	Layout
Sh. 2	" 2027	Details Std. 15'-0" Timber Trestle
Sh. 3	" G365	" New Approaches & Truss Deck
Sh. 4	" G366	Plan & Profile
Sh. 5	" G367	Cross Sections.

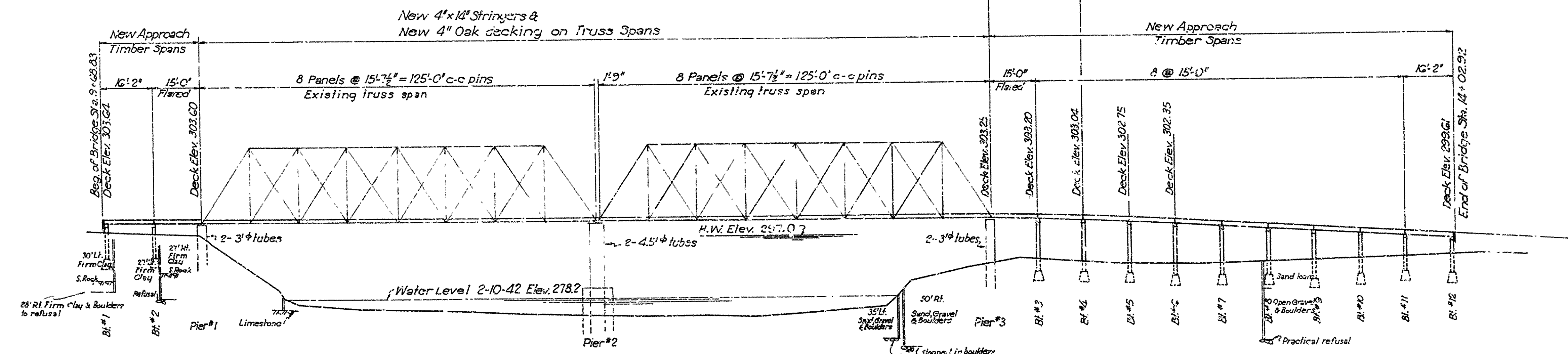
FOOTING ELEVATIONS & POST LENGTHS

Bent No.	Deck Elev.	Flg. Elev.	Length of Posts
1	303.64	288.14	10'
2	303.62	288.12	10'
3	303.20	282.70	15'
4	301.04	282.54	15'
5	302.75	282.25	15'
6	302.35	281.85	15'
7	301.90	282.40	14'
8	301.45	282.95	13'
9	301.00	282.50	13'
10	300.55	283.50	12'
11	300.10	284.60	10'
12	300.65	284.15	10'



LIST OF QUANTITIES

Structural Excavation	463 Cu Yds.
Class 'B' Concrete	30.27 Cu Yds.
Untr. Bridge Timber	74,150 MBM
Hardware (bolts, spikes & fittings)	5700 Lbs.



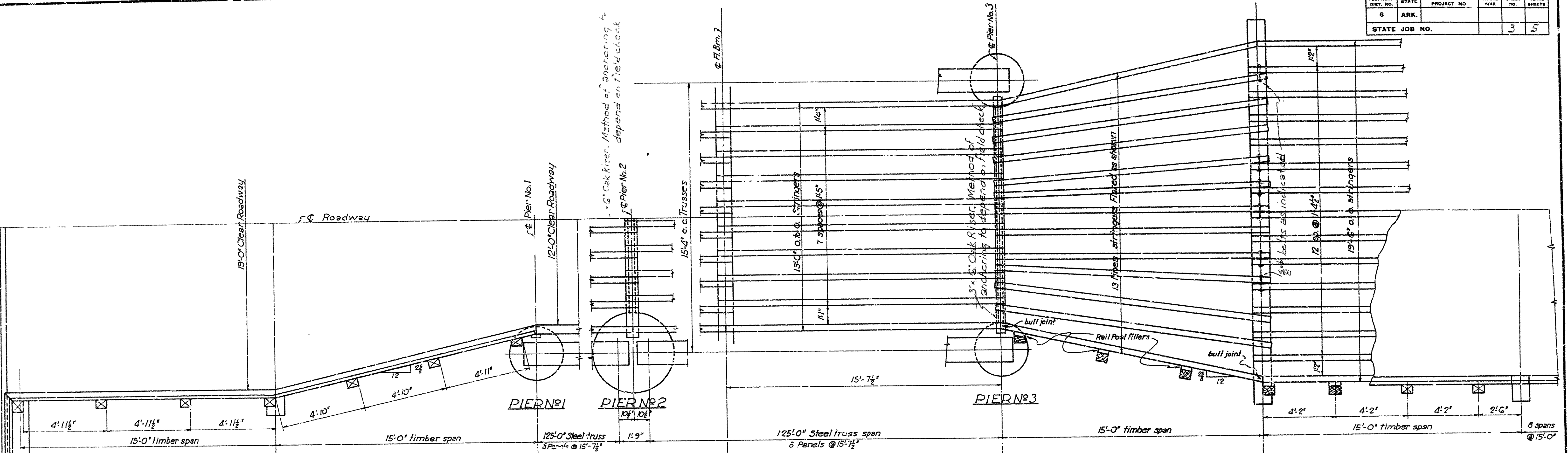
ELEVATION

LAYOUT OF  
 NEW APPROACHES AND NEW DECK  
 BRIDGE OVER SPRING RIVER,  
 S. OF RAVENDEN, ARK.  
 LAWRENCE COUNTY  
 ROUTE 63 SEC. 3

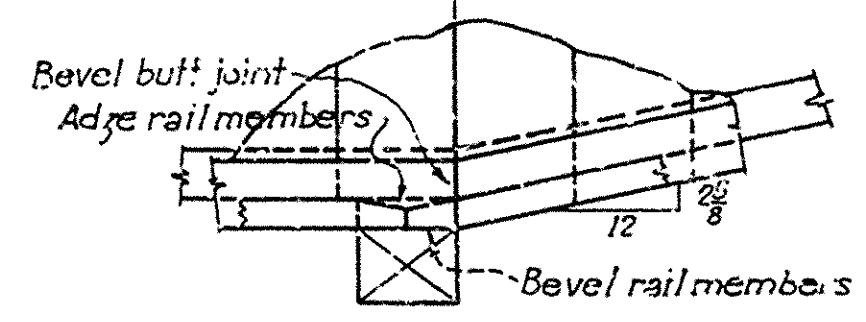
ARKANSAS STATE HIGHWAY COMMISSION  
 LITTLE ROCK, ARK.  
 Drawn By: E.A.W. Date: 4-10-42  
 Traced By: E.A.W. Date: 4-10-42  
 Checked By: \_\_\_\_\_ Date: \_\_\_\_\_  
 BRIDGE NO. 2290 DRAWING NO. G364

*E.A.W.*  
 PRINCIPAL HIGHWAY ENGINEER (LICENSED)

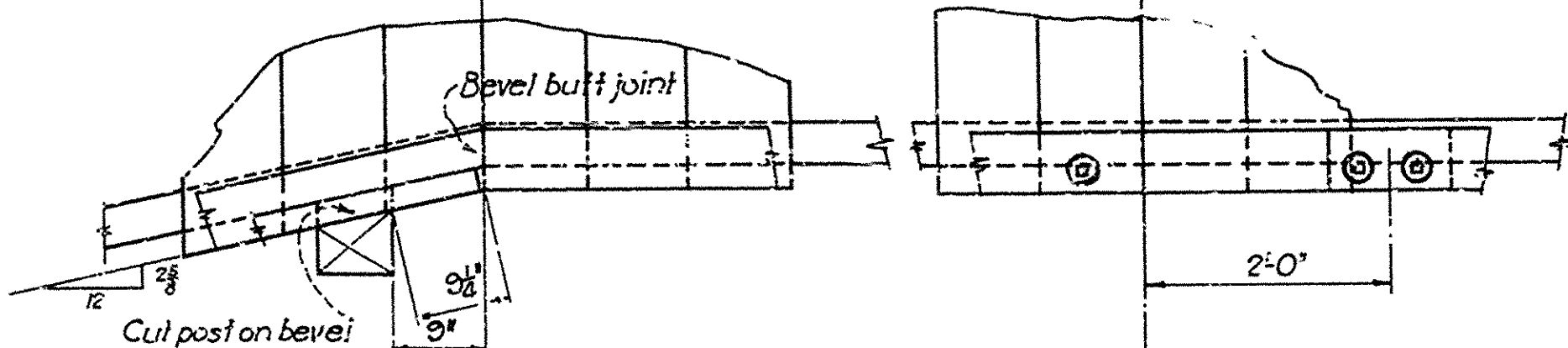
RD. ROAD DIST. NO.	STATE	PROJECT NO.	FISCAL YEAR	SHEET NO.	TOTAL SHEETS
0	ARK.			3	5
STATE JOB NO.					



GENERAL PLAN OF STRINGER LAYOUT

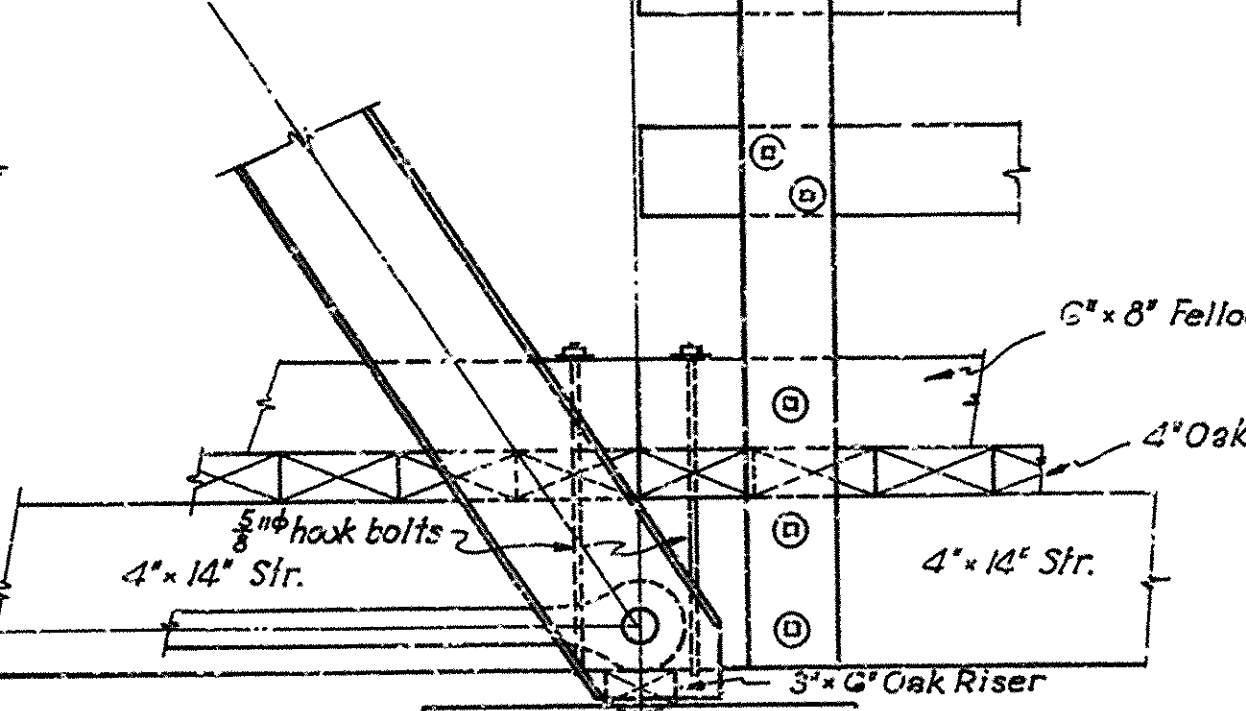


DETAIL AT BENT 2

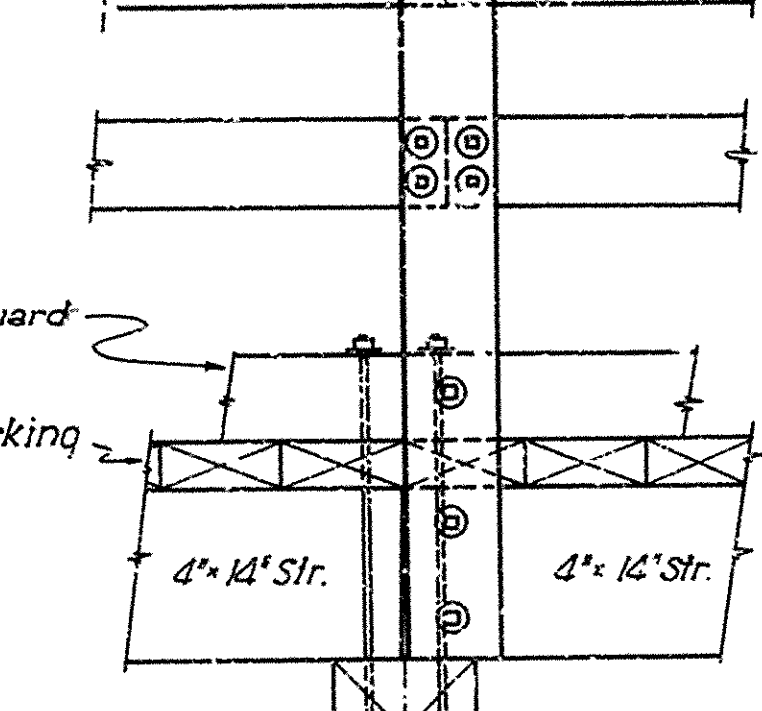


DETAIL AT PIER 1

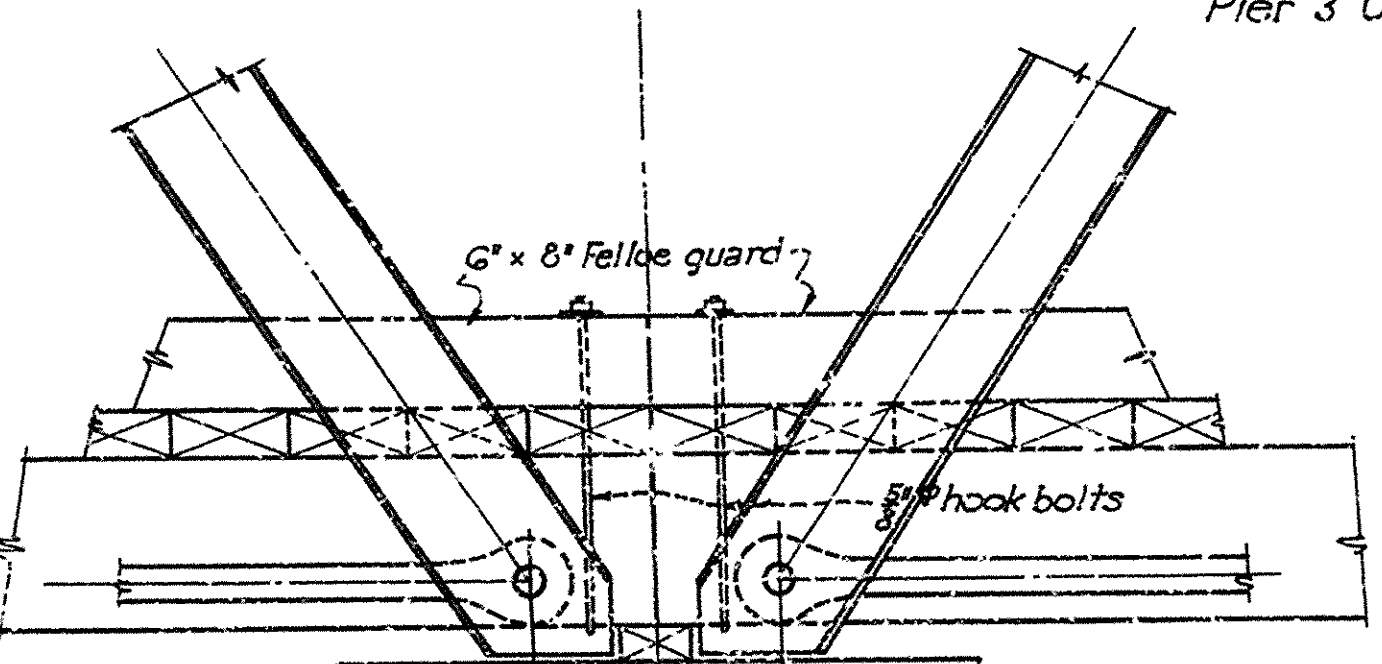
DETAIL AT INT. PANEL POINT



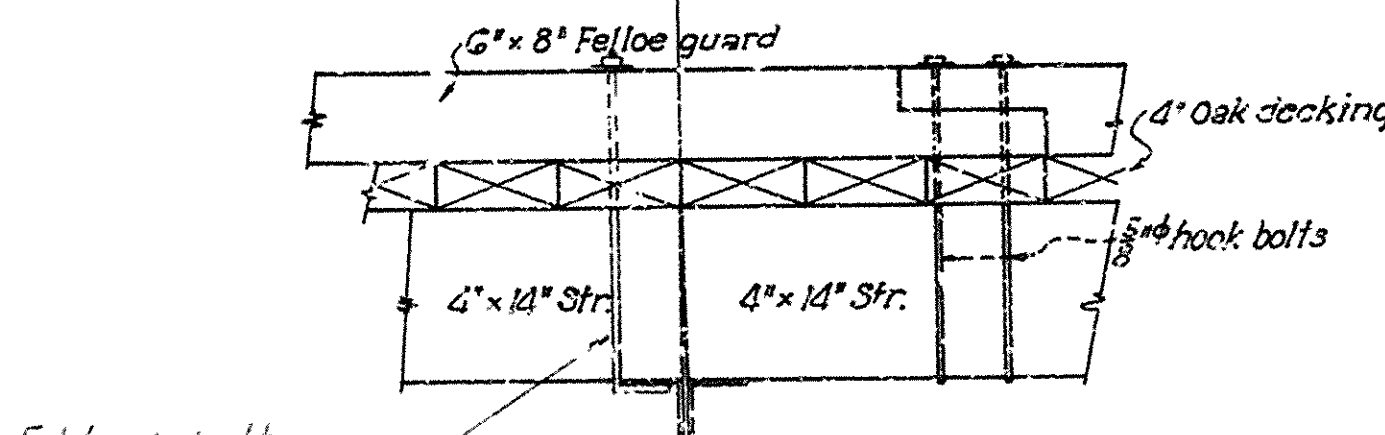
PART ELEVATION PIER 1 OR 3



PART ELEVATION BENT 1 OR 3



PART ELEVATION AT PIER 2



PART ELEVATION INT. PANEL POINT

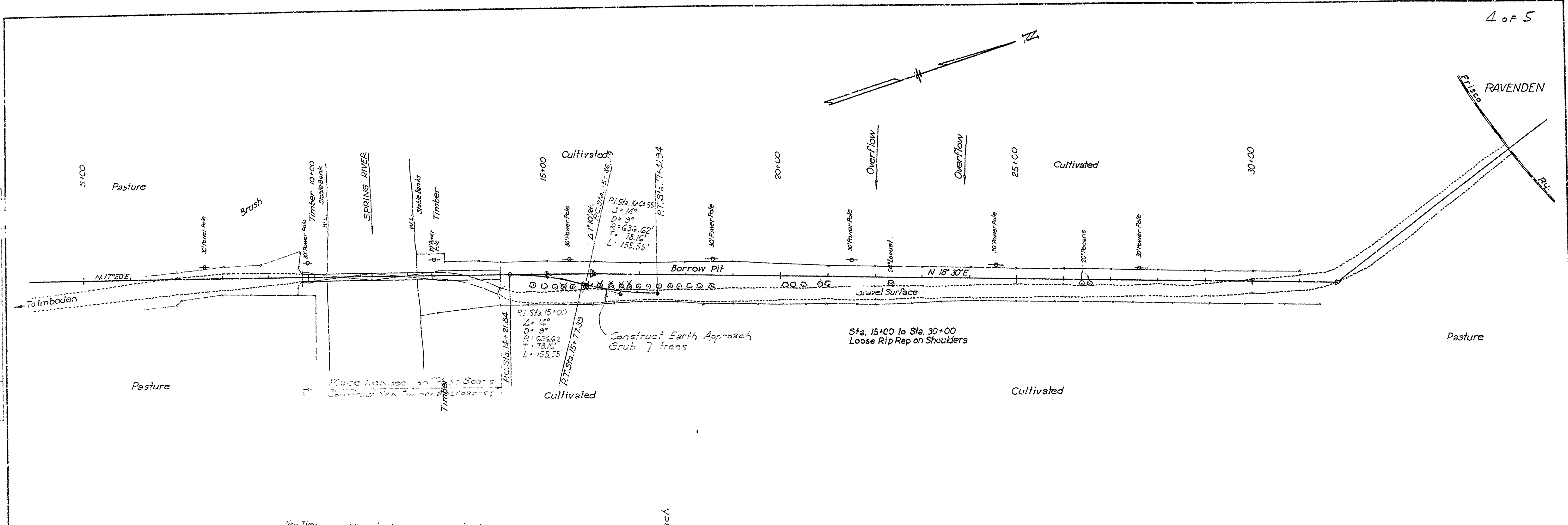
DETAILS OF  
NEW APPROACHES & NEW TRUSS DECK  
BRIDGE OVER SPRING RIVER  
AT RAVENDEN, ARK.  
LAWRENCE COUNTY  
ROUTE 63 SEC. 3

ARKANSAS STATE HIGHWAY COMMISSION  
LITTLE ROCK, ARK.  
Drawn By: E.A.W. Date: 4-10-42  
Traced By: E.A.W. Date: 4-18-49  
Checked By: \_\_\_\_\_ Date: \_\_\_\_\_  
BRIDGE NO. 2290 DRAWING NO. G3G5

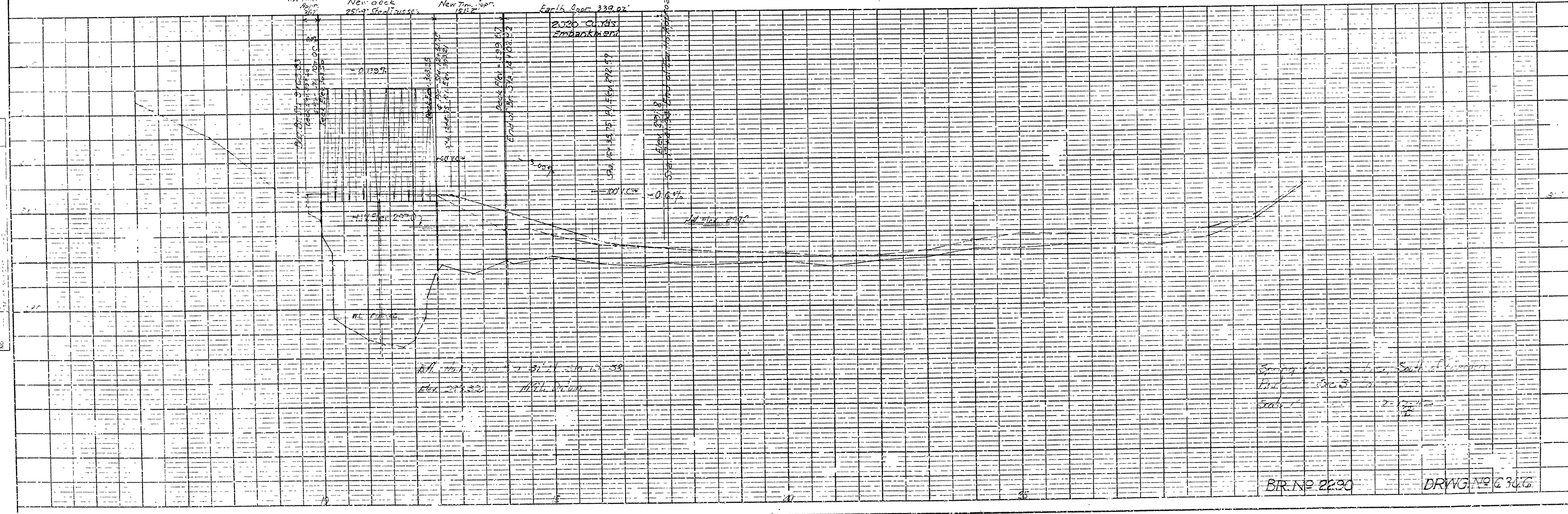
*E.A. Warner*  
PRINCIPAL HIGHWAY ENGINEER (BRIDGE)

Scale: 3/8" = 1' as shown

PLAN  
NOT TO SCALE  
DATE: 10/1/20



PROFILE  
NOT TO SCALE  
DATE: 10/1/20



Spring River South of ...  
Elev. 288.32  
Scale 1" = 20'

BR. NO. 2230  
DRWG. NO. 6347